

You and Your Parents

Selected Scriptures
Amos Yang, MD

All slides © amosyang.net and may not be reproduced or distributed without permission from the author.

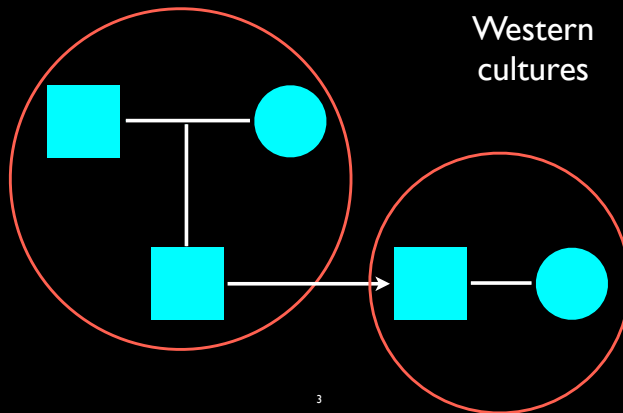
1

You and your parents

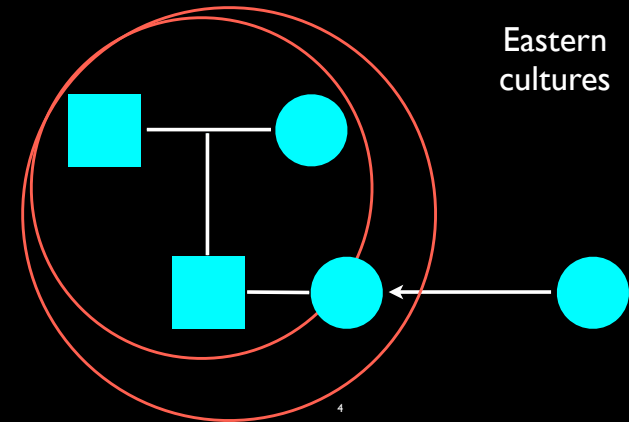
I. Your marital relationship trumps your parental relationships (Gen 2:24).

2

Genesis 2:24: Leave and cleave



Genesis 2:24: Leave and cleave



Exodus 20:12

- 1. **No other gods** (v. 3).
- 2. **No idols** (vv. 4-6).
- 3. **No taking God's name in vain** (v. 7).
- 4. **Keep the Sabbath** (vv. 8-11).
- 5. **Honor your father and mother** (v. 12).
- 6. **No murder** (v. 13).
- 7. **No adultery** (v. 14).
- 8. **No stealing** (v. 15).
- 9. **No lying** (v. 16).
- 10. **No coveting** (v. 17).

5

You and your parents

- 1. Your marital relationship trumps your parental relationships (Gen 2:24).
- 2. Honor your parents (Ex 20:12).
 - “honor” = כבוד
 - To view as heavy and glorious
 - To greatly esteem and respect

6

You and your parents

- 1. Your marital relationship trumps your parental relationships (Gen 2:24).
- 2. Honor your parents (Ex 20:12).
 - a) Everyone: Greatly esteem your parents (Ex 20:12).

7

Honor vs. obey

Honoring your parents	Obeying your parents
Applies to both adults and children	Applies to children
Heart attitude	External behavior

8

You and your parents

1. Your marital relationship trumps your parental relationships (Gen 2:24).
2. Honor your parents (Ex 20:12).
 - a) Everyone: Greatly esteem your parents (Ex 20:12).
 - b) Children: Humbly obey your parents (Eph 6:1-3).

9

You and your parents

John MacArthur:

“Bound up in honoring father and mother is the responsibility to show them respect and love and to help meet their needs... Jesus equates honoring parents with providing them financial support... This is a matter of priority for every child of God. No one can ever question what God requires in this area.”

10

You and your parents

1. Your marital relationship trumps your parental relationships (Gen 2:24).
2. Honor your parents (Ex 20:12).
 - a) Everyone: Greatly esteem your parents (Ex 20:12).
 - b) Children: Humbly obey your parents (Eph 6:1-3).
 - c) Adults: Financially support your parents (Mt 15:1-9, 1 Tim 5:3-8).

11

You and your parents

Knute Larson:

“Asian and African cultures, with their inclusion of extended family and cross-generational relationships, have a much better understanding of family cohesion and care that do Western societies. Our idolizing of independence often severs us from the sense of gratitude and long-term reciprocity which God intends for a family.”

12

You and your parents

Knute Larson:

“While no parent invests time and energy into raising children simply to be repaid for it, the ties and obligations of family relationships do not rest entirely upon parents. Children and grandchildren have the opportunity to give back time, love, and material support. They should also grow up with the expectation that this is their privilege and duty, especially to those widowed within their family.”

13

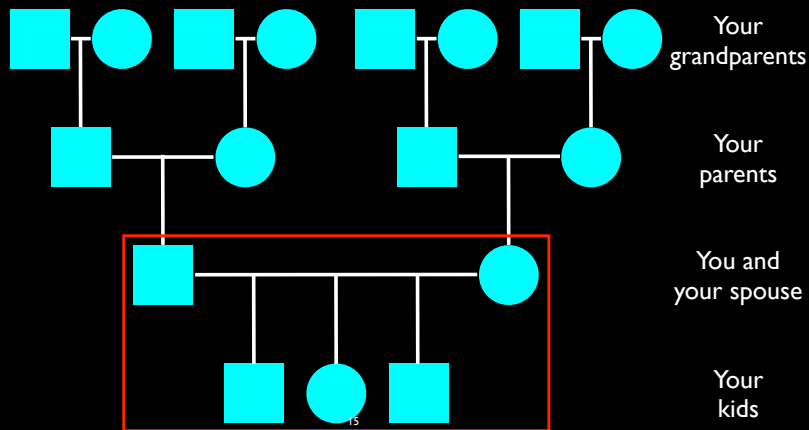
You and your parents

Knute Larson:

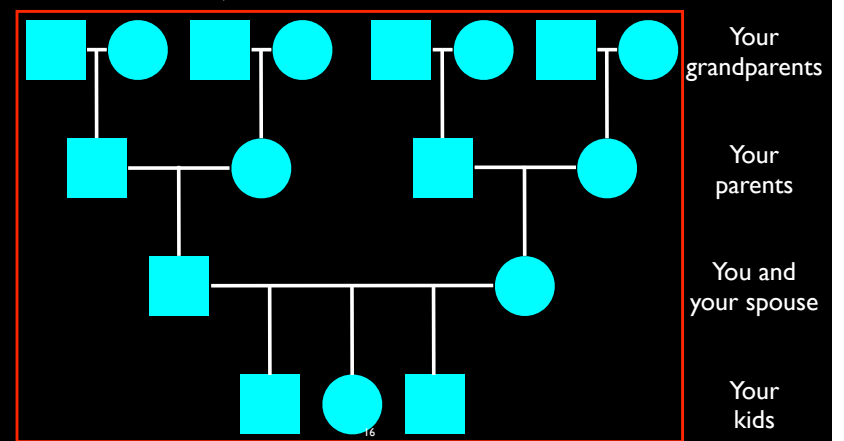
“The church should be vocal and supportive in instilling these values in children and grandchildren. It is to our shame that in Western nations the children often leave parents to their own devices or to social welfare programs. It certainly should not be so among God’s people.”

14

Mt 15:1-9, 1 Tim 5:3-8



Mt 15:1-9, 1 Tim 5:3-8



You and your parents

1. Your marital relationship trumps your parental relationships (Gen 2:24).
2. Honor your parents (Ex 20:12).
 - a) Everyone: Greatly esteem your parents (Ex 20:12).
 - b) Children: Humbly obey your parents (Eph 6:1-3).
 - c) Adults: Financially support your parents (Mt 15:1-9, 1 Tim 5:3-8).
3. Love Christ more than your parents (Mt 10:34-38).

17

Biblical commands vs. principles

Biblical command	Biblical principle
Something <i>commanded</i> by Scripture	A <i>generality</i> based upon Scripture
Is Scripture	Is not Scripture; instead typically an <i>application</i> of Scripture

18

You and your parents

1. Your marital relationship trumps your parental relationships (Gen 2:24).
2. Honor your parents (Ex 20:12).
 - a) Everyone: Greatly esteem your parents (Ex 20:12).
 - b) Children: Humbly obey your parents (Eph 6:1-3).
 - c) Adults: Financially support your parents (Mt 19:1-9).
3. Love Christ more than your parents (Mt 15:1-9).

19